

PK 48002 EH

**A PERFECT COMBINATION
OF ELECTRONICS AND
HYDRAULICS ALLOWS
HIGH LIFTING POWER
AND MAXIMUM
PROFITABILITY**

LIFETIME EXCELLENCE

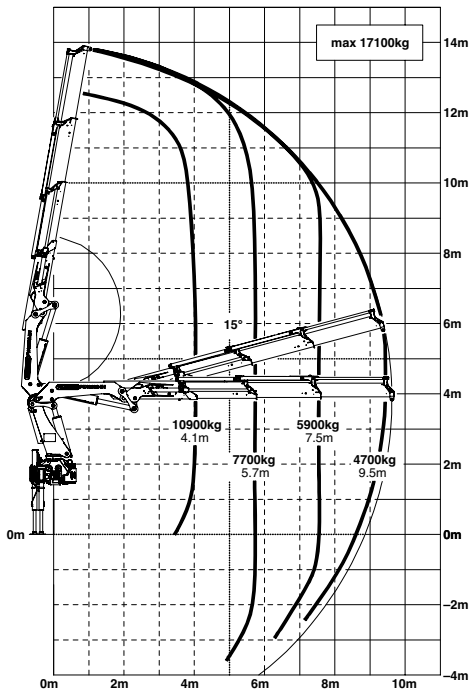


PK 48002 EH

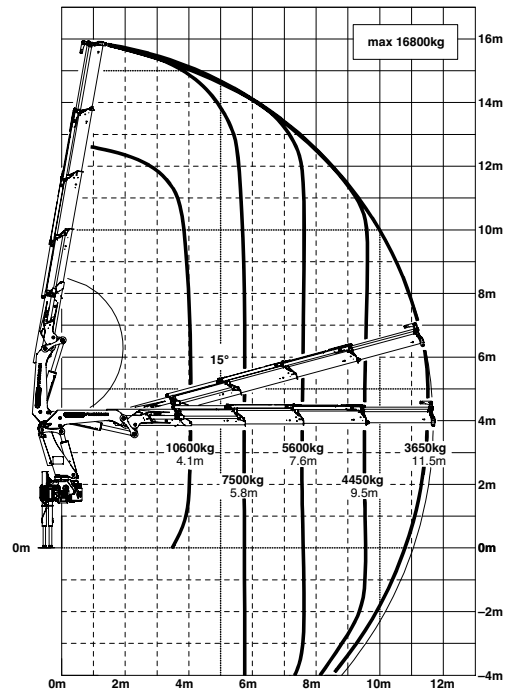
HIGH PERFORMANCE

Maximum functionality and flexibility.

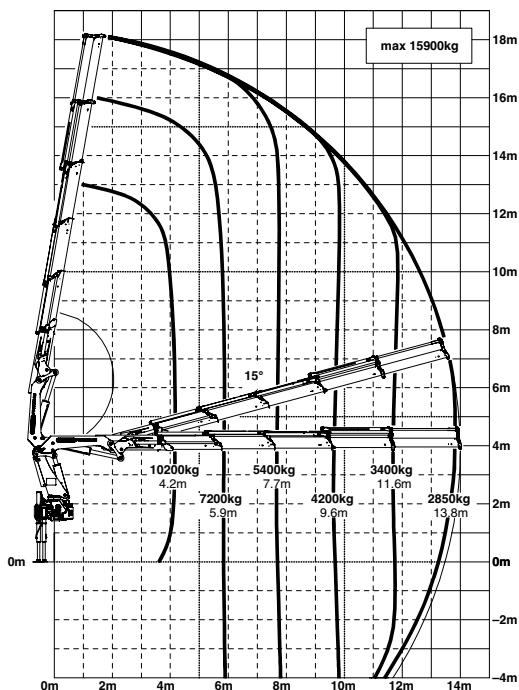
B



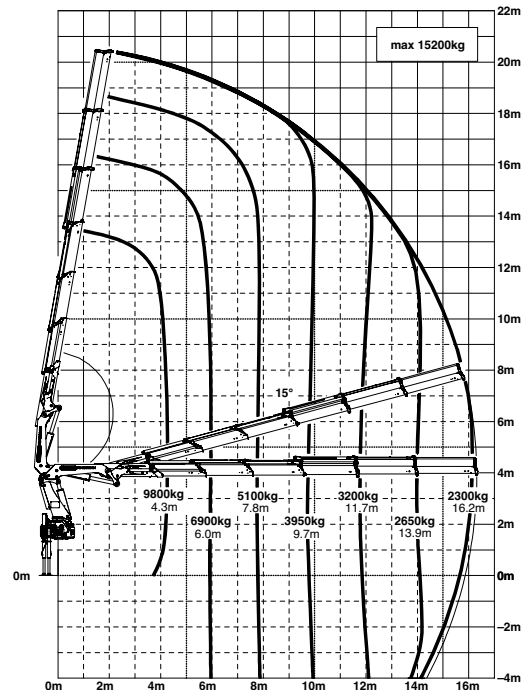
C



D



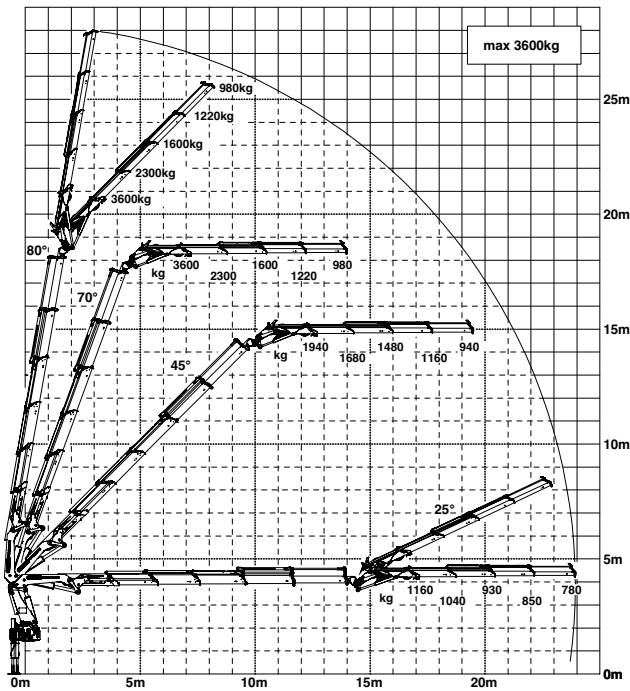
E



The outreaches stated are with a boom angle of 20° and are therefore not the maximum.

Lifting capacities

D PJ100C



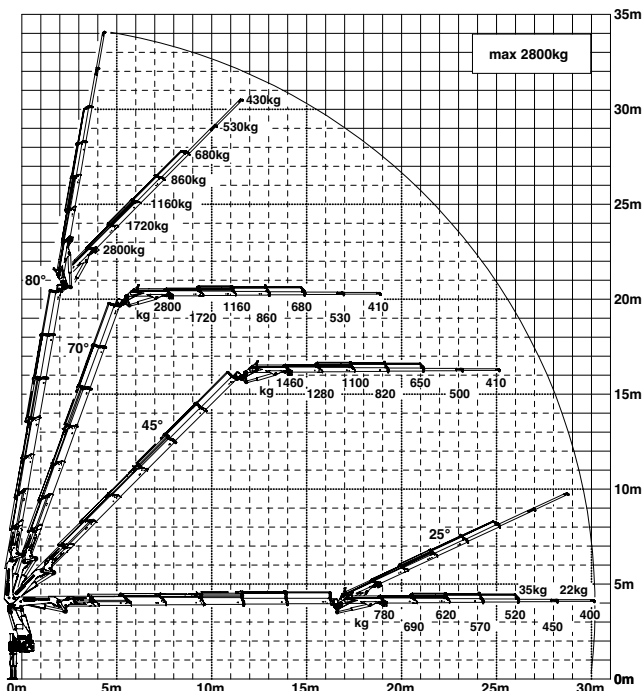
max.	17400 kg	170,7 kN	A
4,0 m	13' 1"	11100 kg	25400 lbs
5,7 m	18' 8"	8000 kg	17600 lbs
7,5 m	24' 7"	6100 kg	13500 lbs

max.	17100 kg	167,8 kN	B
4,1 m	13' 5"	10900 kg	23900 lbs
5,7 m	18' 8"	7700 kg	17000 lbs
7,5 m	24' 7"	5900 kg	12900 lbs
9,5 m	31' 2"	4700 kg	10300 lbs
11,6 m*	38' 1"	3700 kg	8200 lbs
13,9 m*	45' 7"	3000 kg	6600 lbs
16,2 m*	53' 2"	2400 kg	5300 lbs

max.	16800 kg	164,8 kN	C
4,1 m	13' 5"	10600 kg	23400 lbs
5,8 m	19' 0"	7500 kg	16500 lbs
7,6 m	24' 11"	5600 kg	12400 lbs
9,5 m	31' 2"	4450 kg	9800 lbs
11,5 m	37' 9"	3650 kg	8100 lbs
13,7 m*	44' 11"	3000 kg	6600 lbs
16,1 m*	52' 10"	2400 kg	5300 lbs
18,4 m*	60' 4"	1800 kg	4000 lbs

max.	15900 kg	156,0 kN	D
4,2 m	13' 9"	10200 kg	22400 lbs
5,9 m	19' 4"	7200 kg	15800 lbs
7,7 m	25' 3"	5400 kg	11800 lbs
9,6 m	31' 6"	4200 kg	9200 lbs
11,6 m	38' 1"	3400 kg	7500 lbs
13,8 m	45' 3"	2850 kg	6300 lbs
16,2 m*	53' 2"	2350 kg	5200 lbs
18,5 m*	60' 8"	1800 kg	4000 lbs
20,8 m*	68' 3"	1500 kg	3300 lbs

E PJ080C JV2

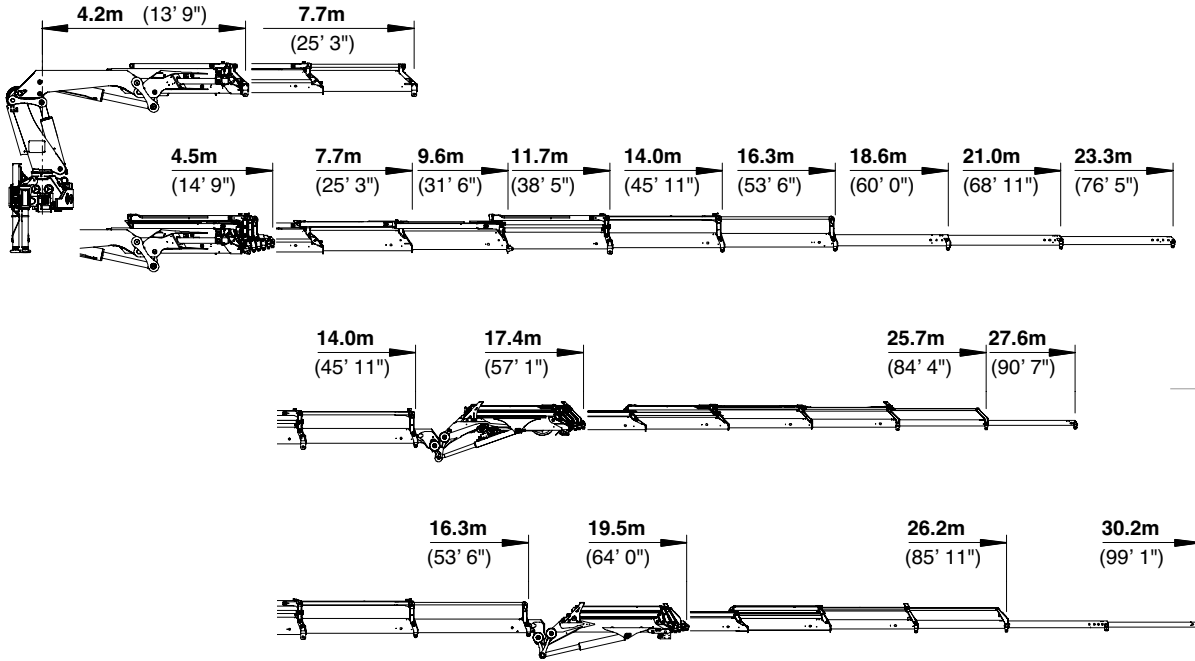


max.	15200 kg	149,1 kN	E
4,3 m	14' 1"	9800 kg	21600 lbs
6,0 m	19' 8"	6900 kg	15200 lbs
7,8 m	25' 7"	5100 kg	11300 lbs
9,7 m	31' 10"	3950 kg	8700 lbs
11,7 m	38' 5"	3200 kg	7100 lbs
13,9 m	45' 7"	2650 kg	5800 lbs
16,2 m	53' 2"	2300 kg	5000 lbs
18,5 m*	60' 8"	1800 kg	4400 lbs
20,8 m*	68' 3"	1250 kg	2750 lbs
23,1 m*	75' 9"	900 kg	1980 lbs

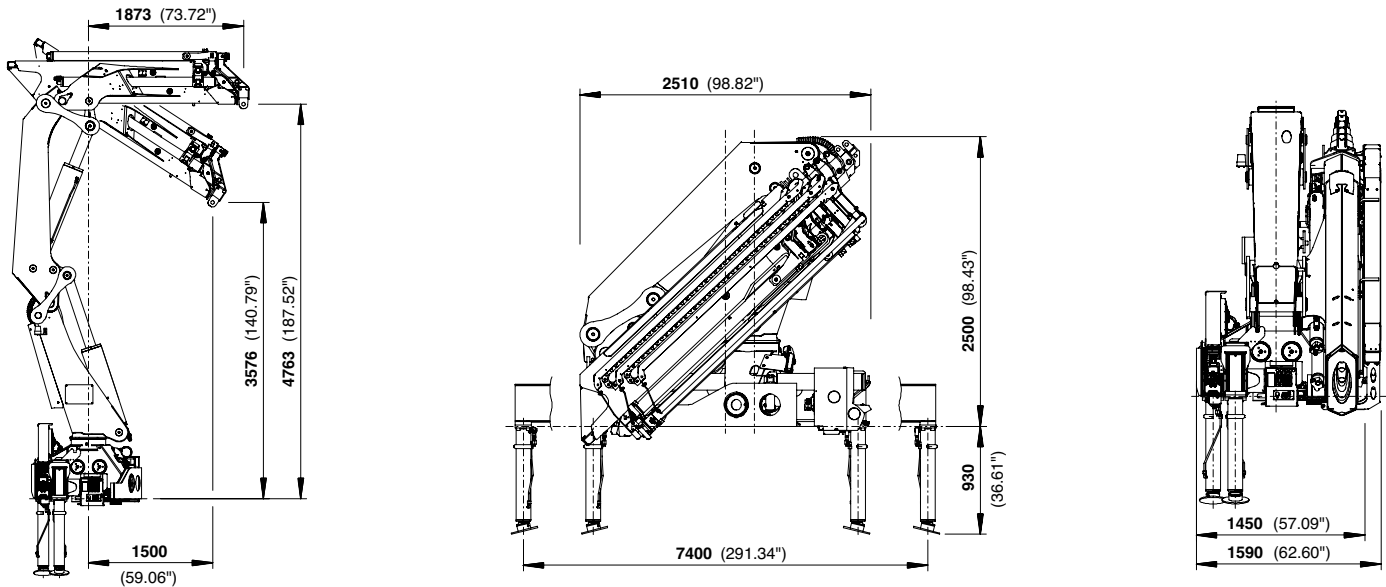
*mechanical extension

PERFECT DIMENSIONS

EXTENSION BOOM VARIATIONS



DIMENSIONS



Technical specifications

EN 12999 HC1 HD4/B3

PK 44502 / PK 48002 EH

PK 44502

Max. lifting moment	41.9 mt/410.8 kNm	302970 ft.lbs
Max. lifting capacity	16600 kg/162.8 kN	36600 lbs
Max. hydraulic outreach	16.3 m	53' 6"
Max. manual outreach	23.3 m	76' 5"
Slewing angle	400°	
Slewing torque	5.5 mt/54.0 kNm	39790 ft.lbs
Stabiliser spread (std./max.)	7.4 m	24' 3"
Fitting space required (std.)	1.45 m/1.59 m	4' 9" / 5' 3"
Width folded	2.51 m	8' 3"
Max. operating pressure	320 bar	4640 psi
Recommended pump capacity	from 40 l/min to 60 l/min	15.9 US gal./min 21.1 US gal./min
Dead weight (std.)	4399 kg	9700 lbs

PK 48002 EH D PJ100D JV1

PK 48002 EH

Max. lifting moment	46.5 mt/456.3 kNm	336520 ft.lbs
Max. lifting capacity	18300 kg/179.5 kN	40340 lbs
Max. hydraulic outreach	16.3 m	53' 6"
Max. manual outreach	23.3 m	76' 5"
Slewing angle	400°	
Slewing torque	5.5 mt/54.0 kNm	39790 ft.lbs
Stabiliser spread (std./max.)	7.4 m	24' 3"
Fitting space required (std.)	1.45 m/1.59 m	4' 9" / 5' 3"
Width folded	2.51 m	8' 3"
Max. operating pressure	350 bar	5075 psi
Recommended pump capacity	from 80 l/min to 100 l/min	21.1 US gal./min 26.4 US gal./min
Dead weight (std.)	4420 kg	9740 lbs

PK 48002 EH E PJ080C JV2

Package model

- E-HPLS
- Paltronic 50
- Radio remote control with LED display
- Danfoss control valve or PVG2000
- 10,5 kW oil cooler
- 200 l oil tank



KP-H44/48002EM2+EN

Cranes shown in the leaflet are partially optional equipped and do not always correspond to the standard version. Country-specific regulations must be observed. Dimensions may vary. Subject to technical changes, errors and translation mistakes.